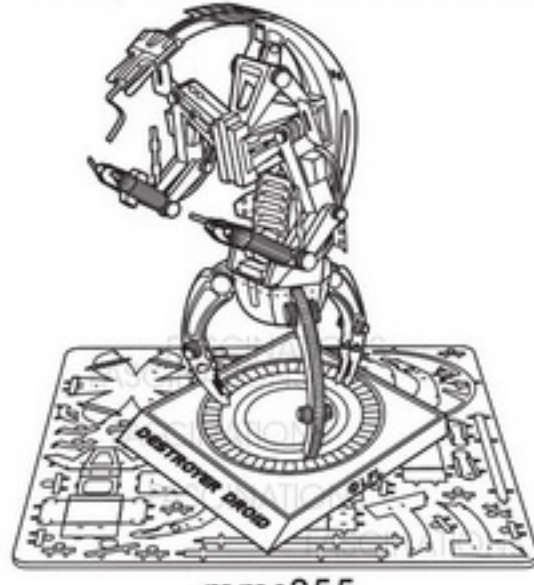


METAL EARTH™

3D LASER CUT MODELS



It is highly recommended that you visit www.fascinations.com/metalearth360/mms255 to see the completed model before assembling your own

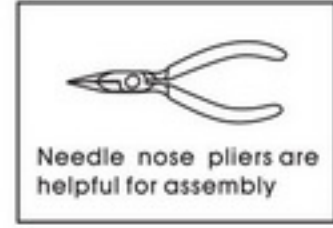


mms255

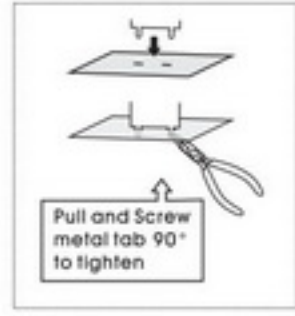
To create the best connections

● Insert tab and bend 90 degrees for most visible areas

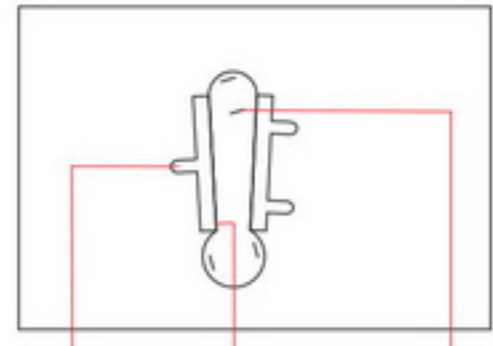
▲ Insert tab and twist 90 degrees is best in some areas to ensure a tight connection



Needle nose pliers are helpful for assembly

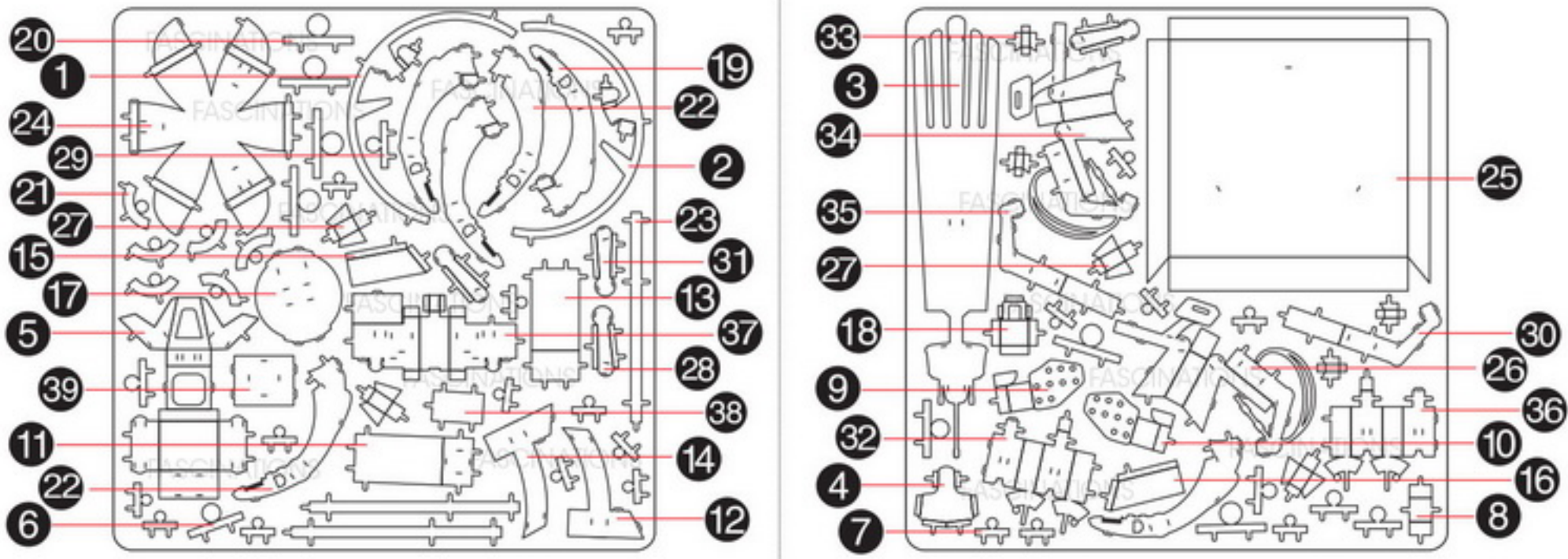


Pull and Screw metal tab 90° to tighten



Insertion tabs are inserted and then folded
Fold lines can be seen as shown here
Insertion holes

Metal sheets



⚠ In order to avoid possible injury from sharp edges, please carefully discard the metal sheet after parts have been removed

Assembly Flow Chart

Non-engraved side

