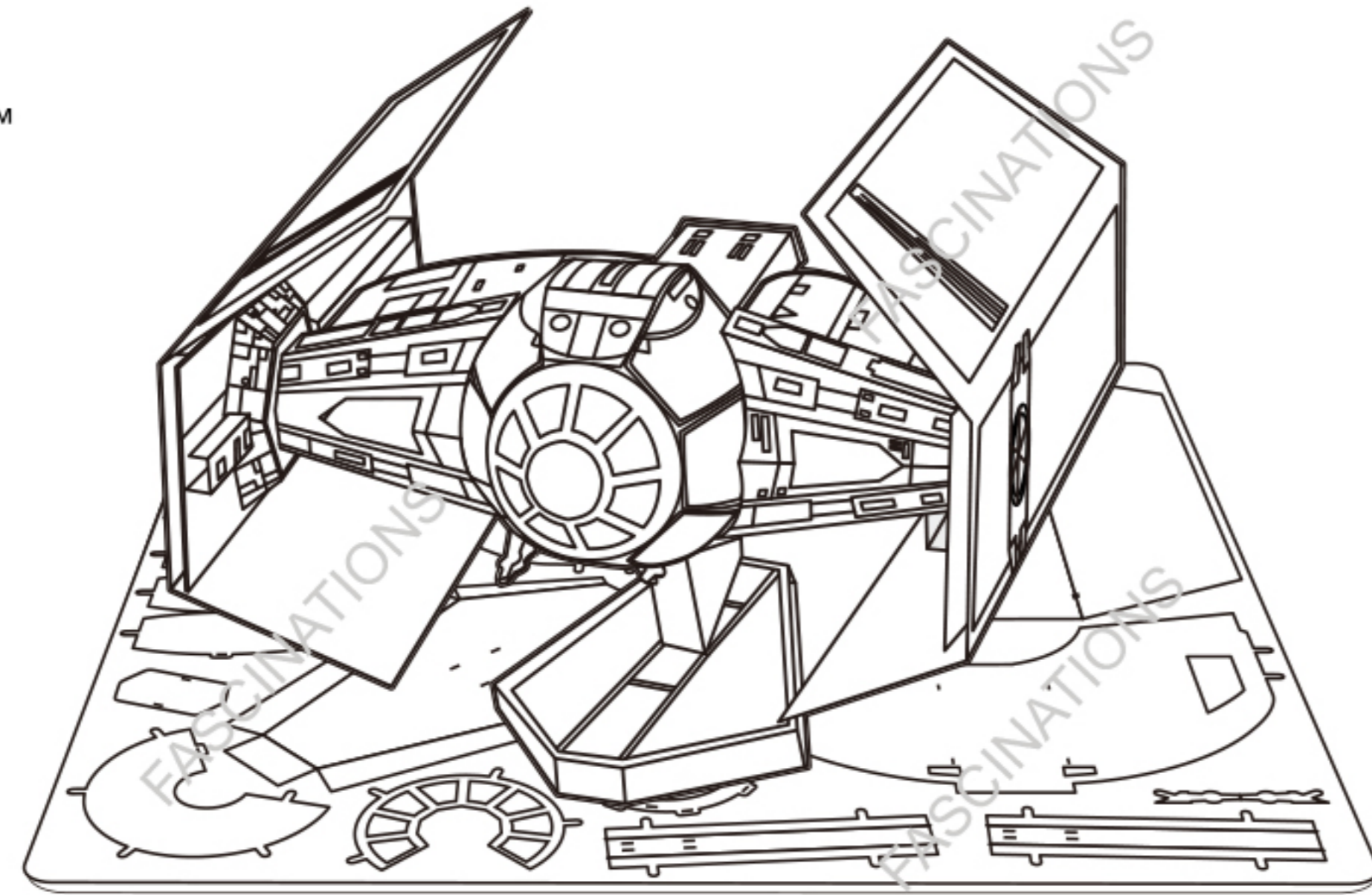




www.starwars.com
© &™ Lucasfilm Ltd.

Metal Earth

3D METAL MODEL KITS



Darth Vader's TIE Fighter™

Item No. MMS253



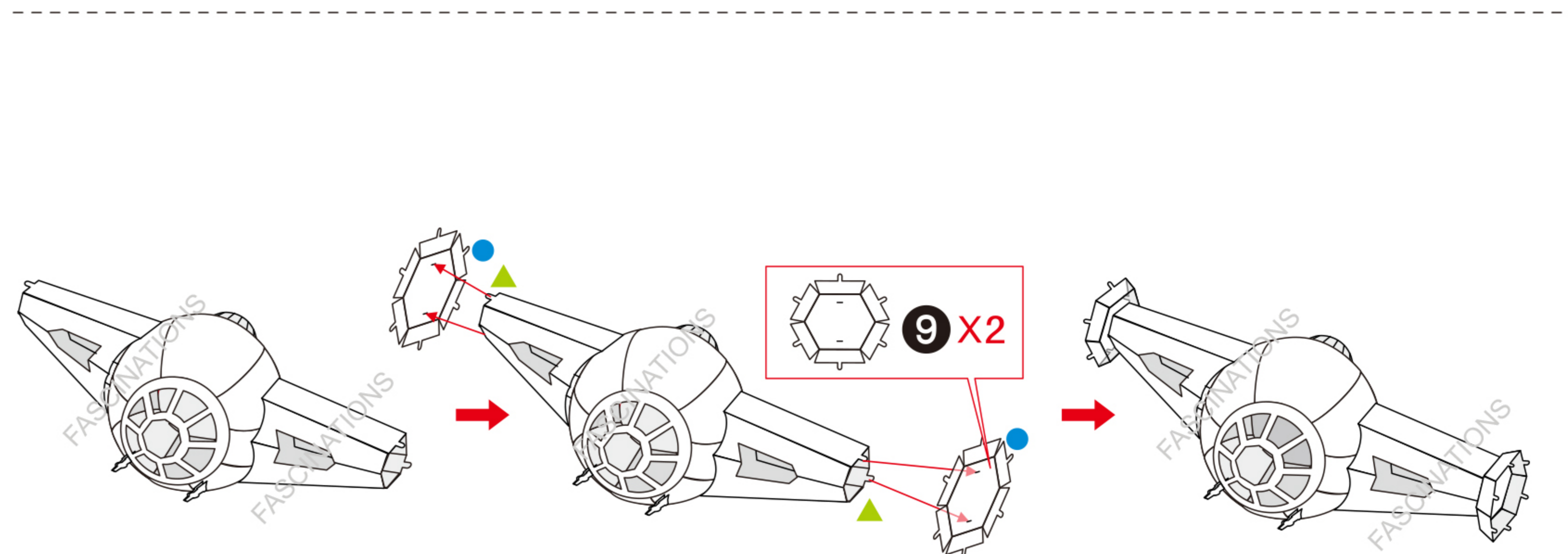
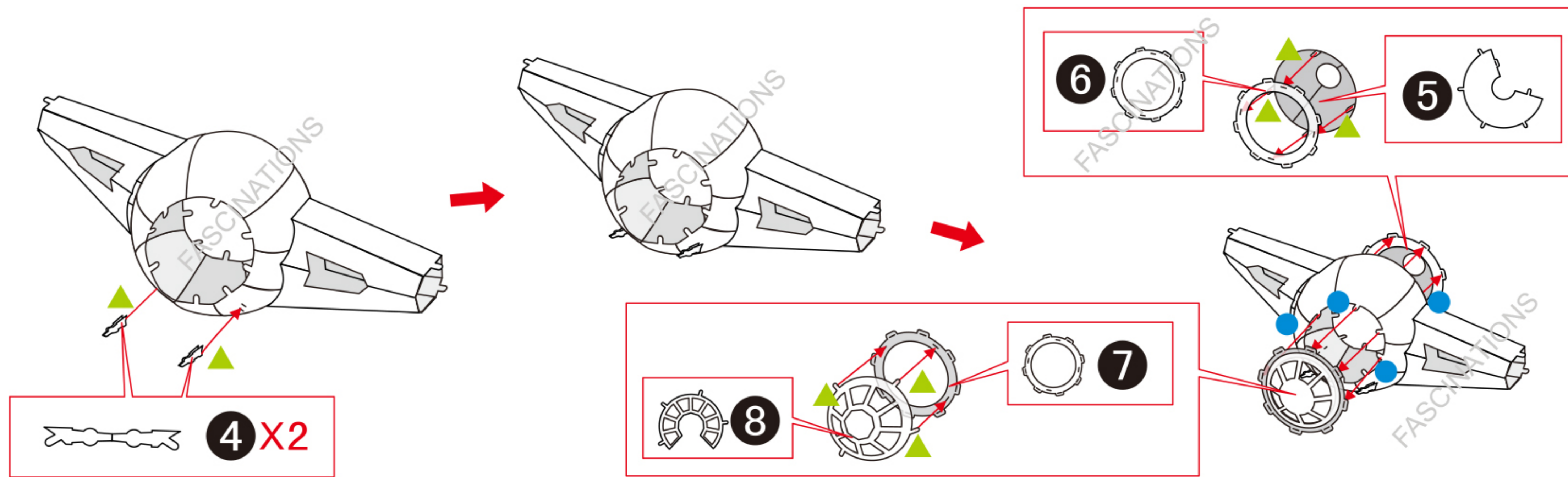
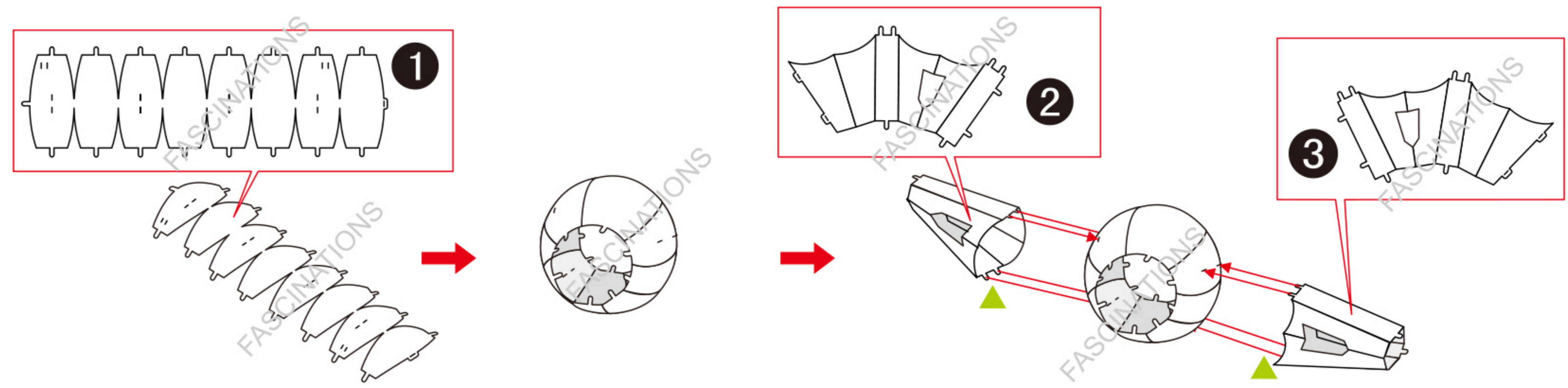
It is highly recommended that you visit www.metalearth.com/360/mms253 to see the completed model before assembling your own

! Notes:

In order to avoid possible injury from sharp edges, please carefully discard the metal sheet after parts have been removed.

This product is not a toy. Keep out of reach of children.

Assembly Flow Chart



Legends:

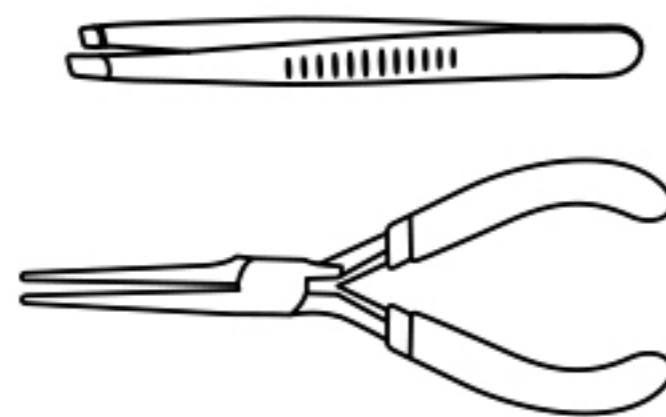
- E** Engraved side
- NE** Non-engraved side
- Attention point
- Insert tab and bend 90 degrees
- Insert tab and twist 90 degrees

Recommended tools:

-Wire cutters: helpful for taking parts from the metal sheets.

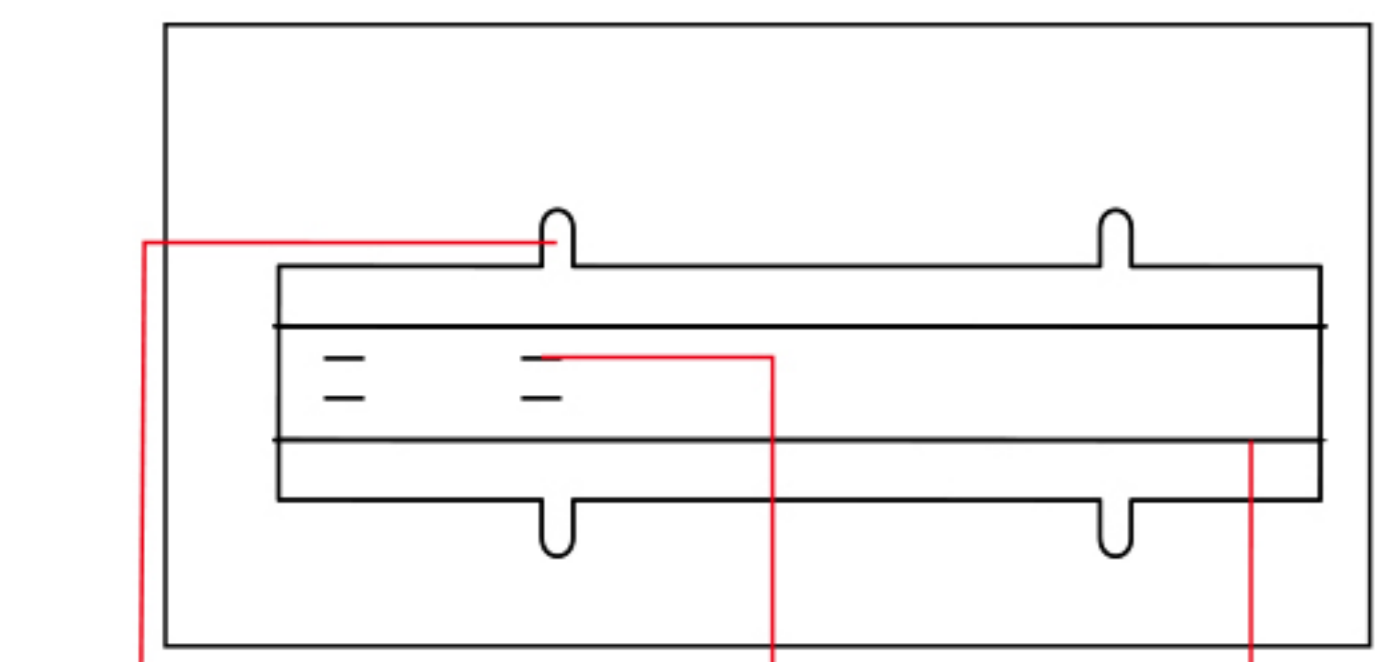


-Tweezers or needle nose pliers: helpful for folding parts, bending and twisting tabs.



Assembly tip:

If needed, slightly twist tabs to hold parts together then untwist and bend them down for a nice finish

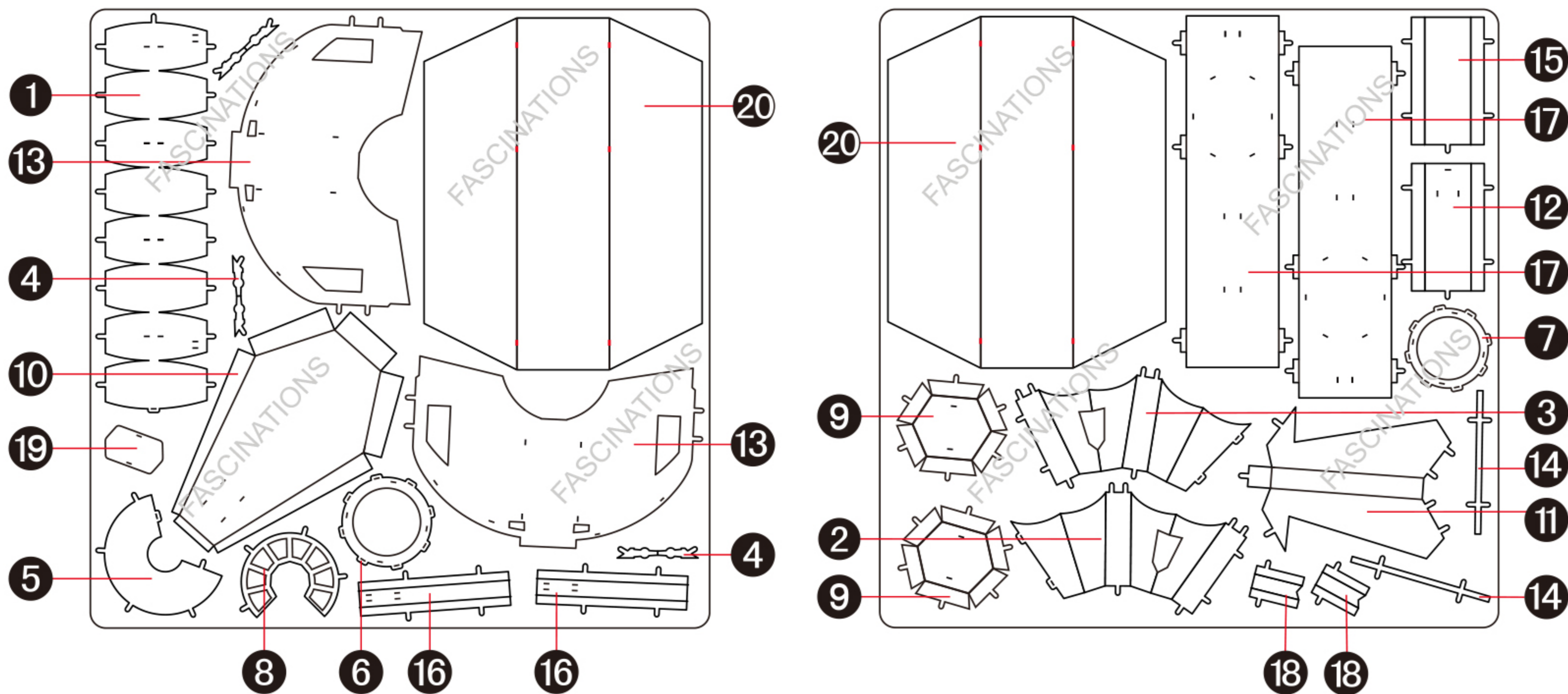


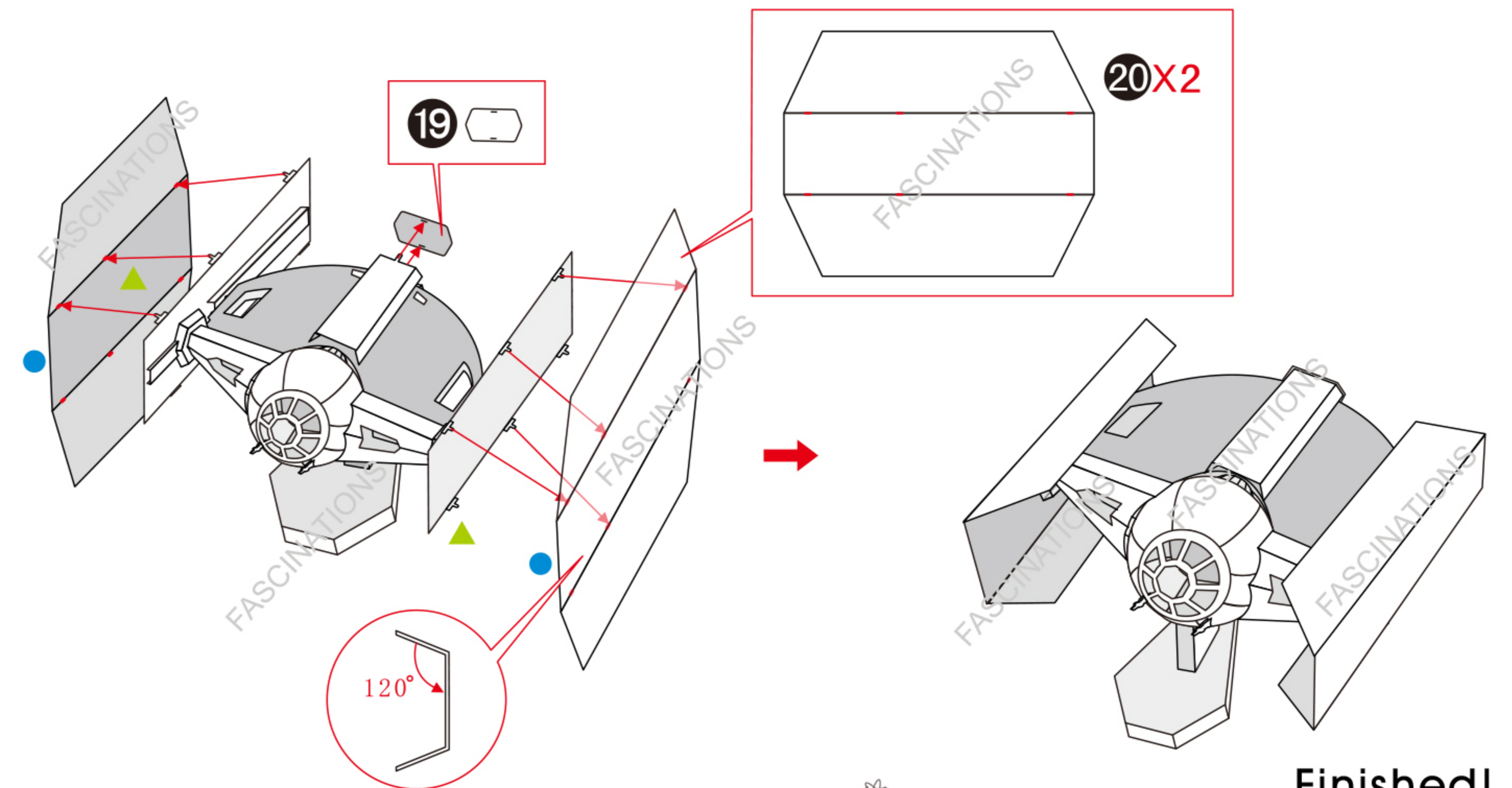
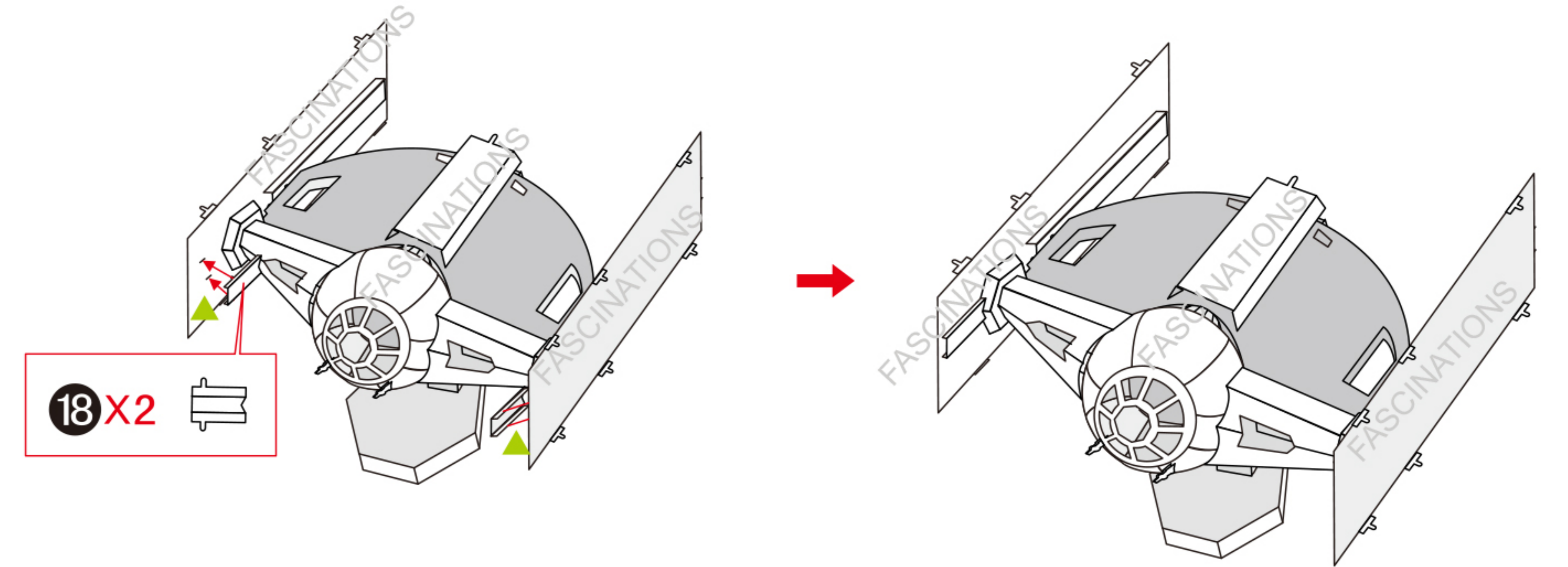
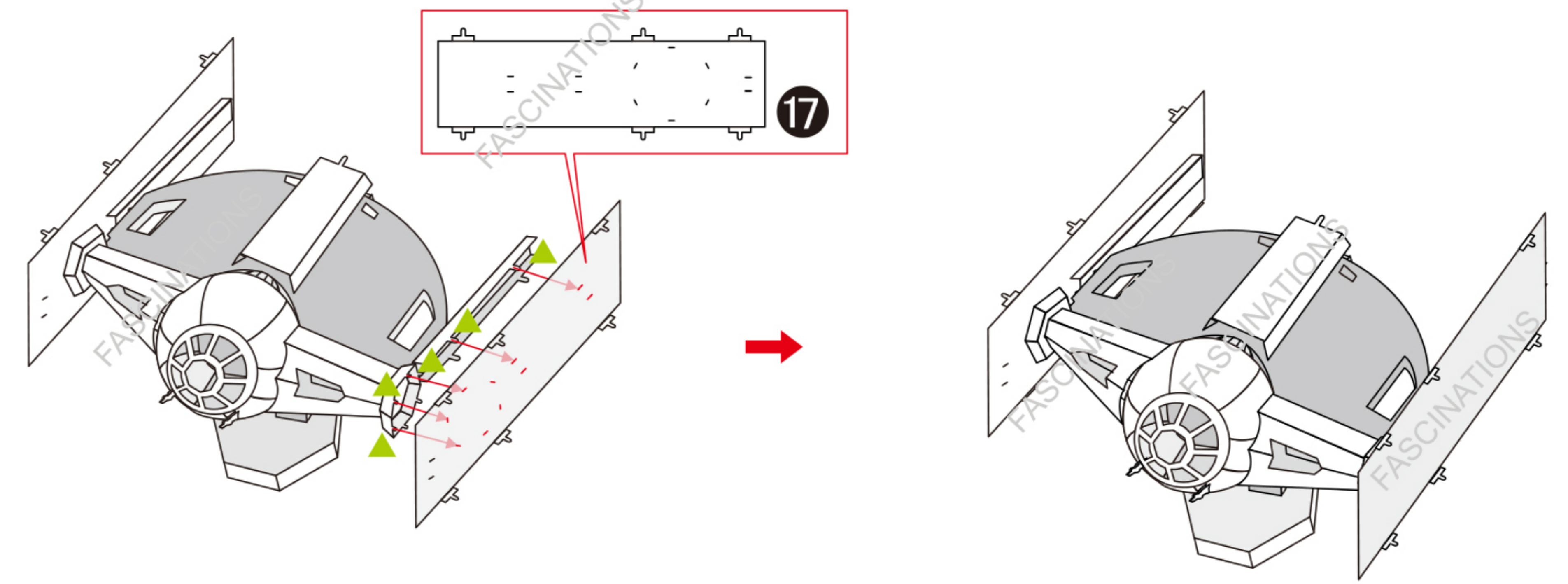
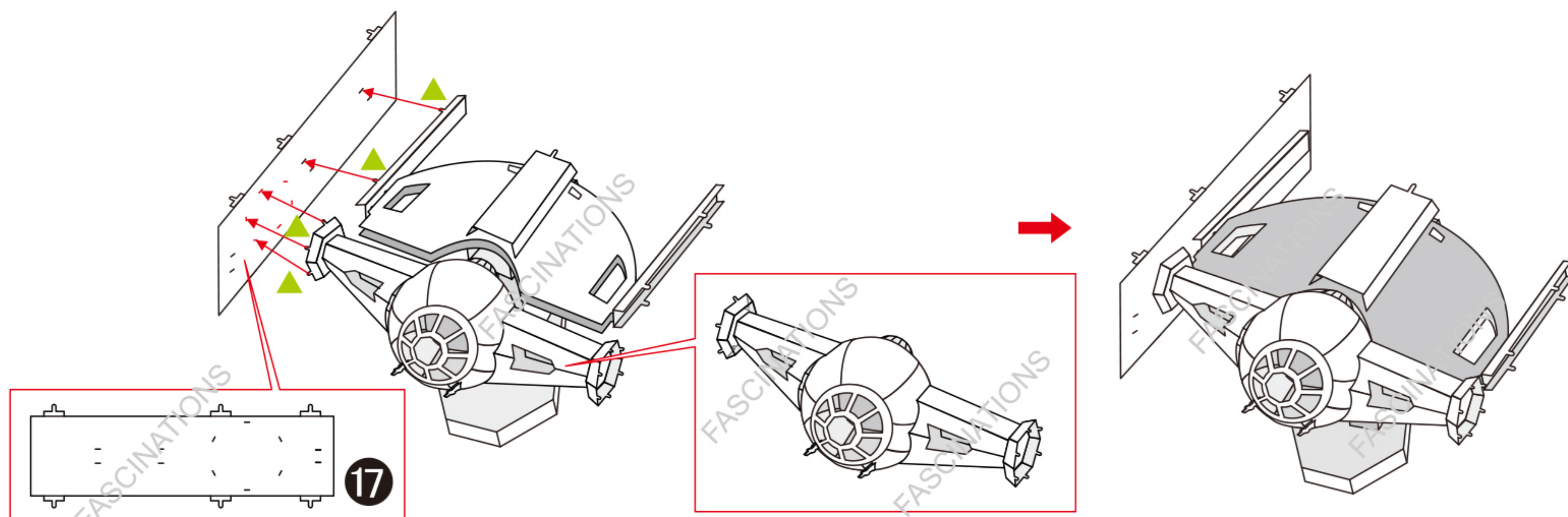
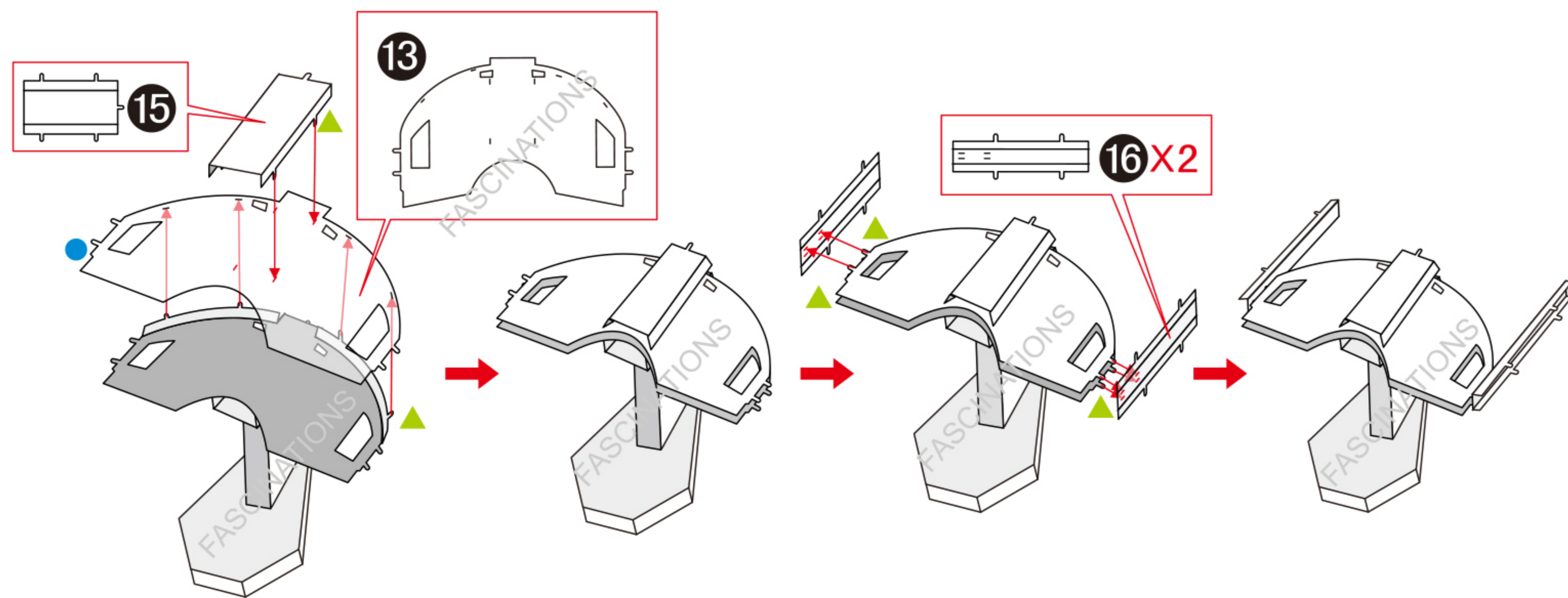
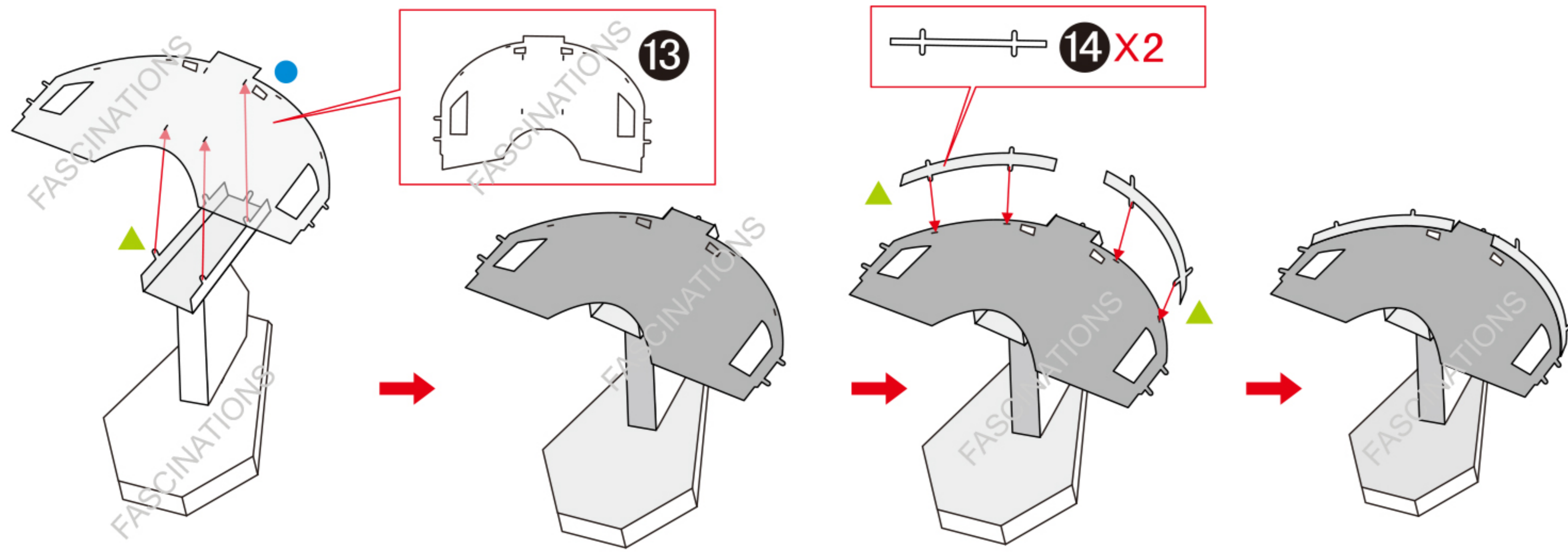
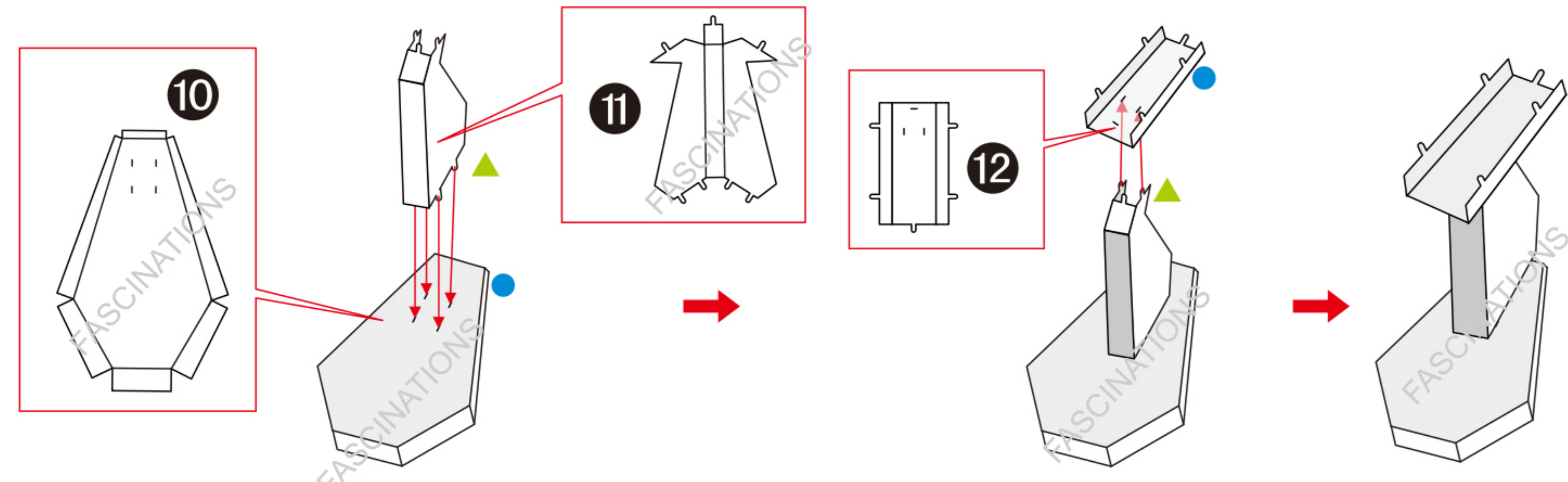
Insertion tabs are inserted and then folded

Insertion holes

Fold lines can be seen as shown here

Metal sheets





Finished!

starwars.com

© 2013 Lucasfilm Ltd. & TM. All rights reserved.

Fascinations®
©2017 Fascinations Seattle, WA
www.metalearth.com