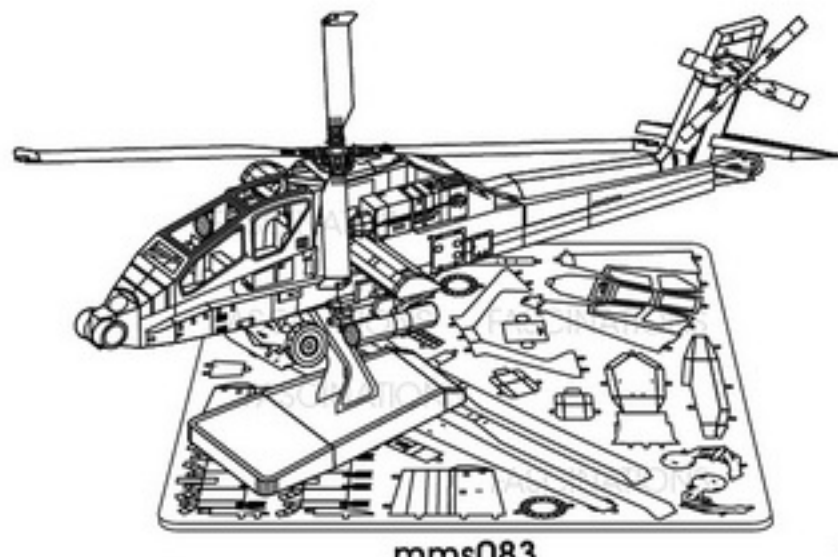


METAL EARTH™

3D LASER CUT MODELS

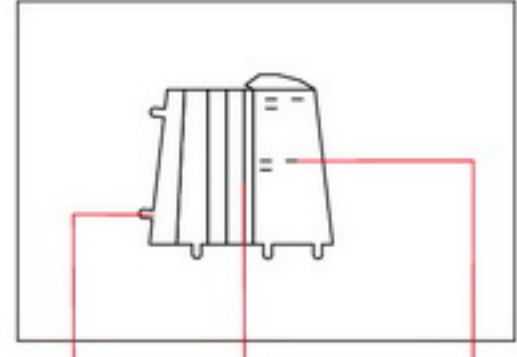


It is highly recommended that you visit www.fascinations.com/metalearth360/mms083 to see the completed model before assembling your own

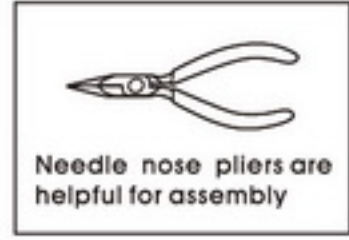


mms083

To create the best connections



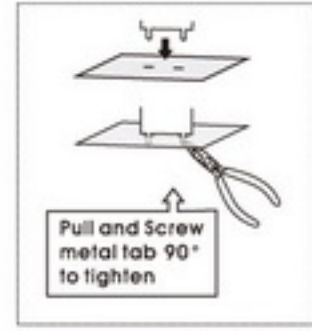
Insertion tabs are inserted and then folded



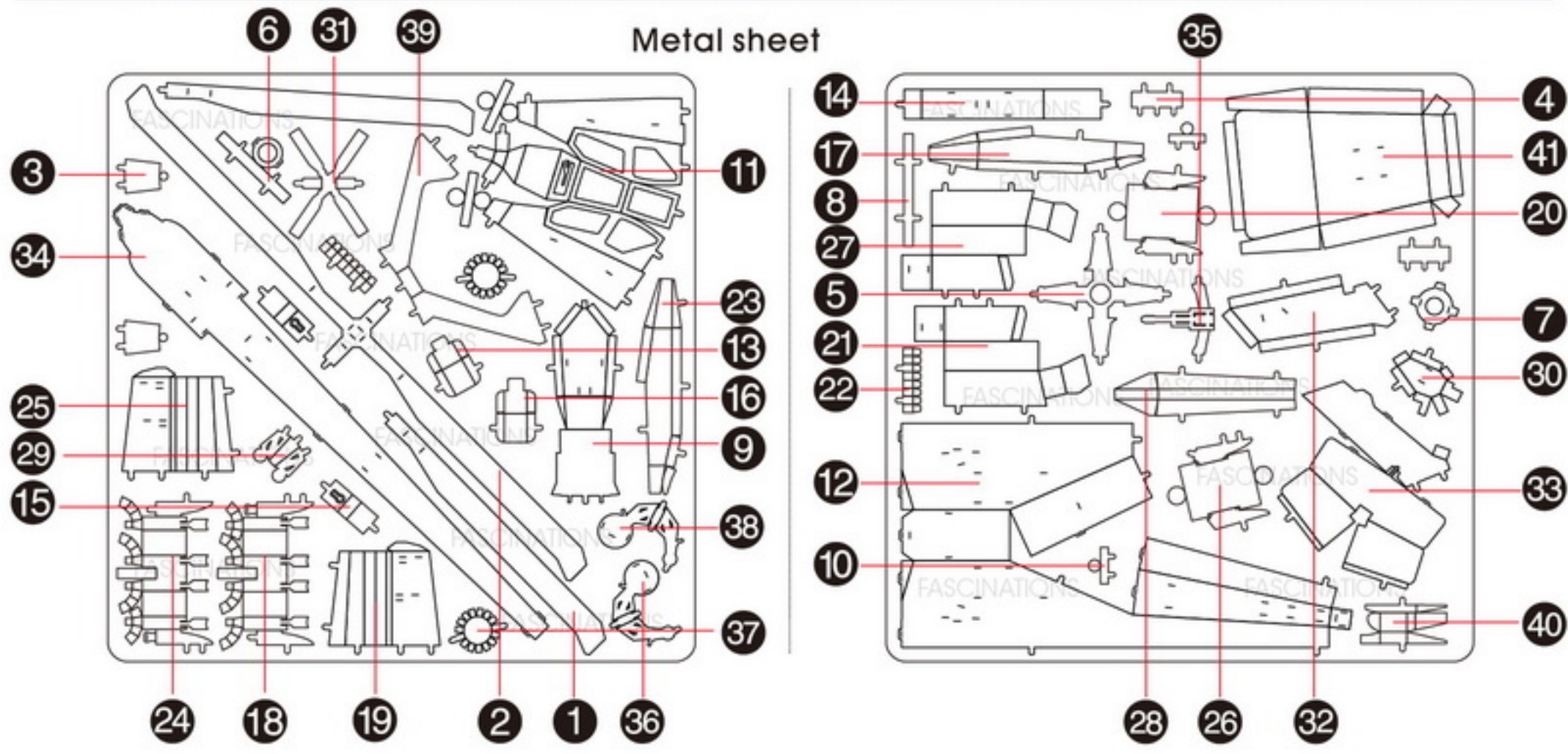
Needle nose pliers are helpful for assembly

● Insert tab and bend 90 degrees for most visible areas

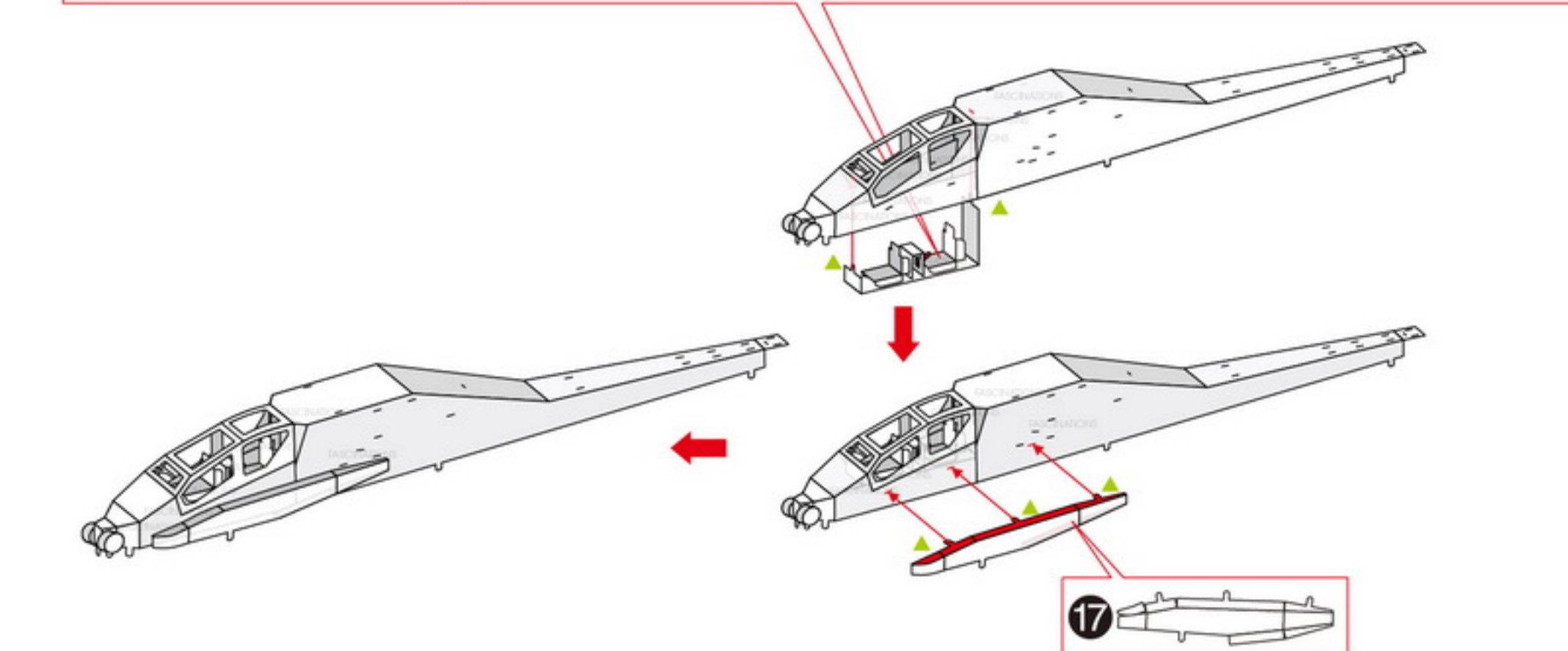
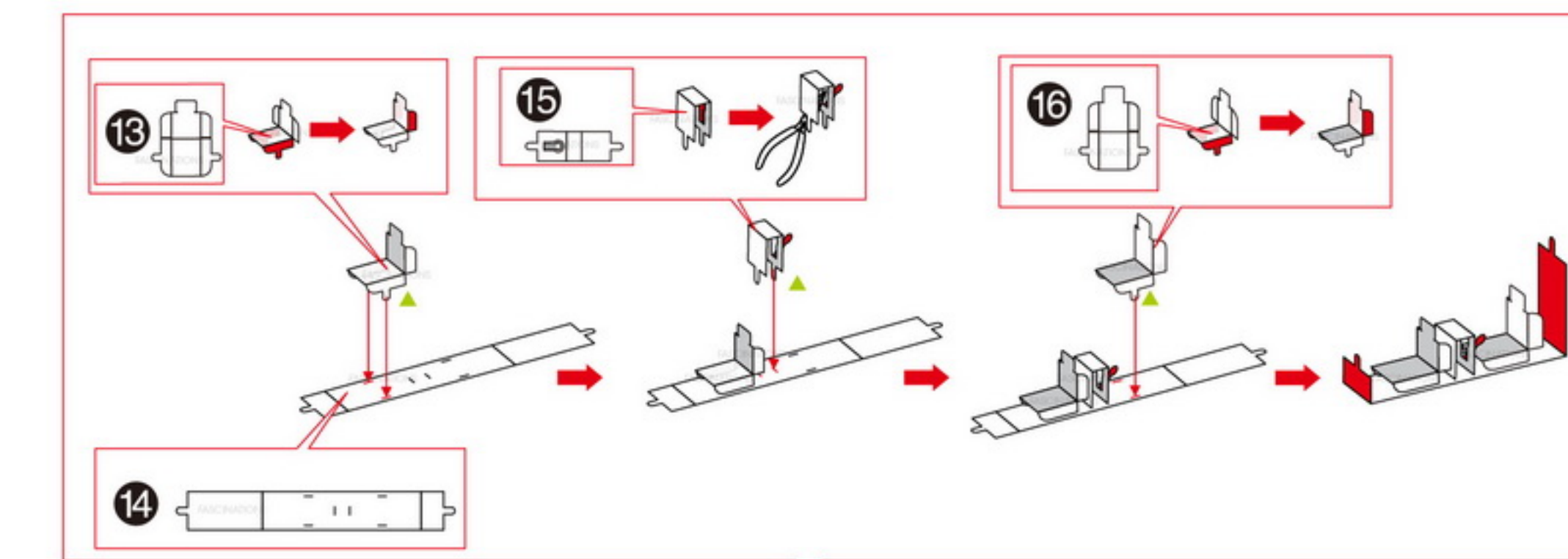
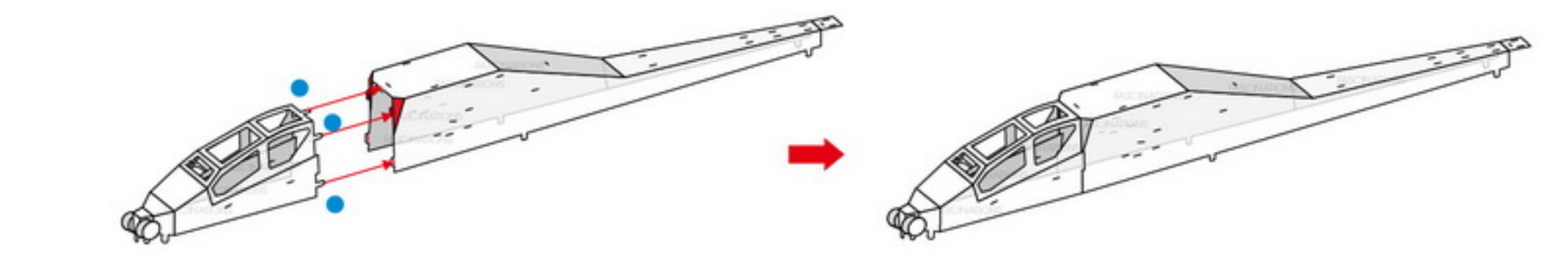
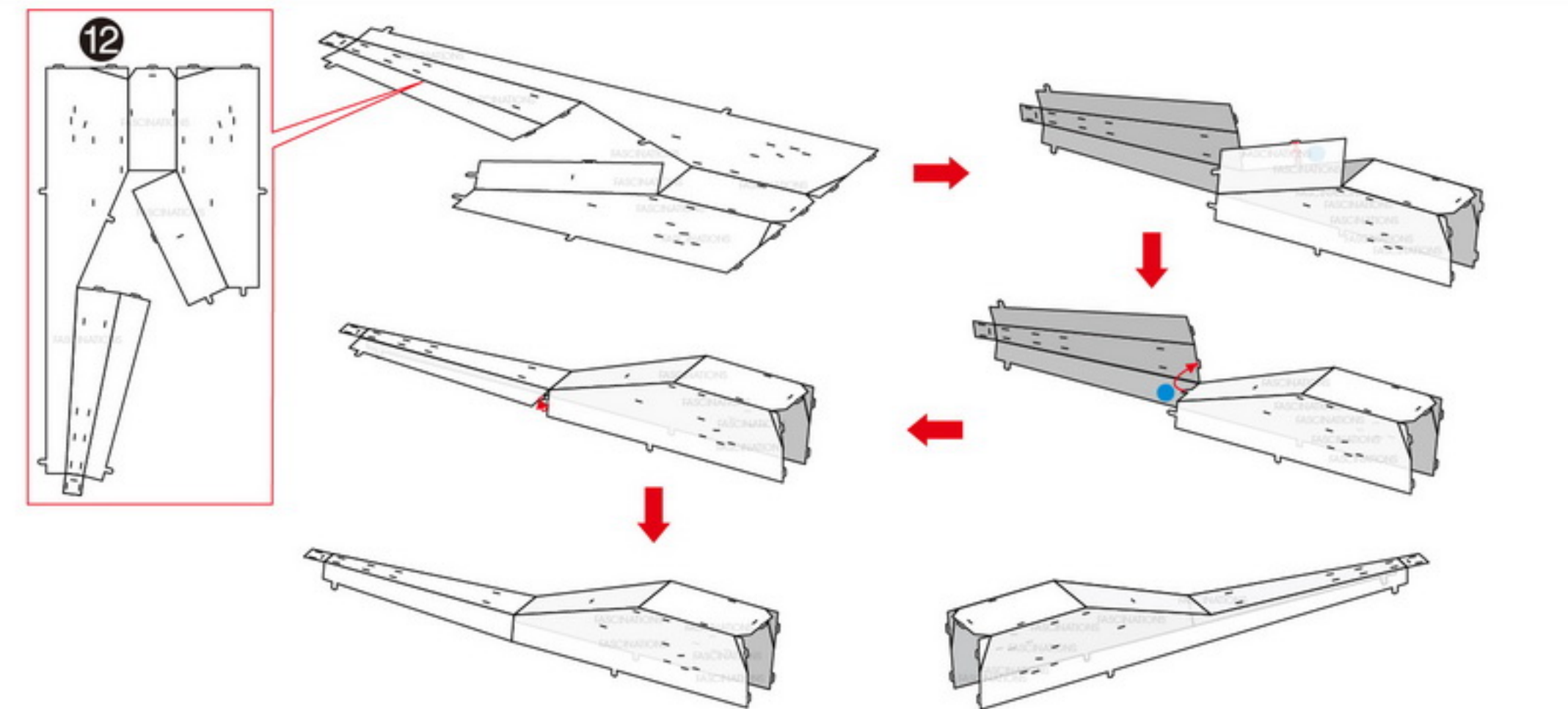
▲ Insert tab and twist 90 degrees is best in some areas to ensure a tight connection



Pull and Screw metal tab 90° to tighten



⚠ In order to avoid possible injury from sharp edges, please carefully discard the metal sheet after parts have been removed



Assembly Flow Chart

