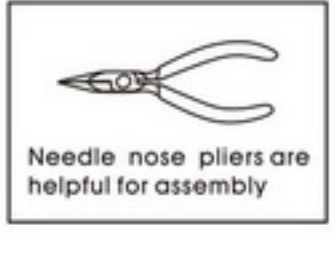
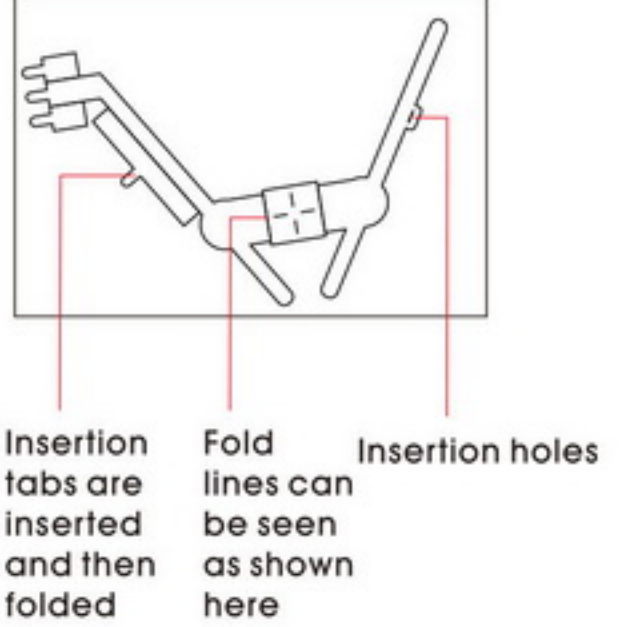
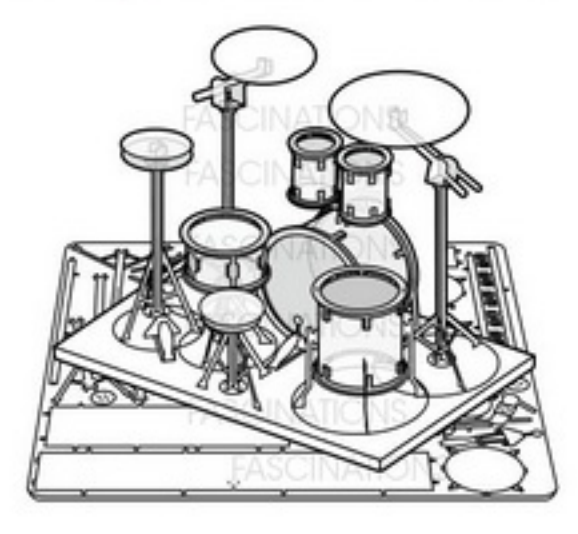


# METAL EARTH™

## 3D LASER CUT MODELS



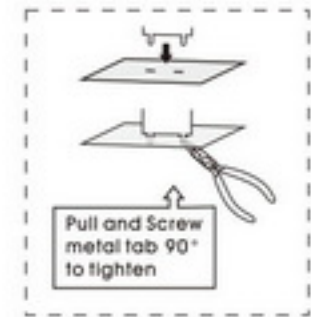
It is highly recommended that you visit [www.fascinations.com/metalearth360/](http://www.fascinations.com/metalearth360/) to see the completed model before assembling your own



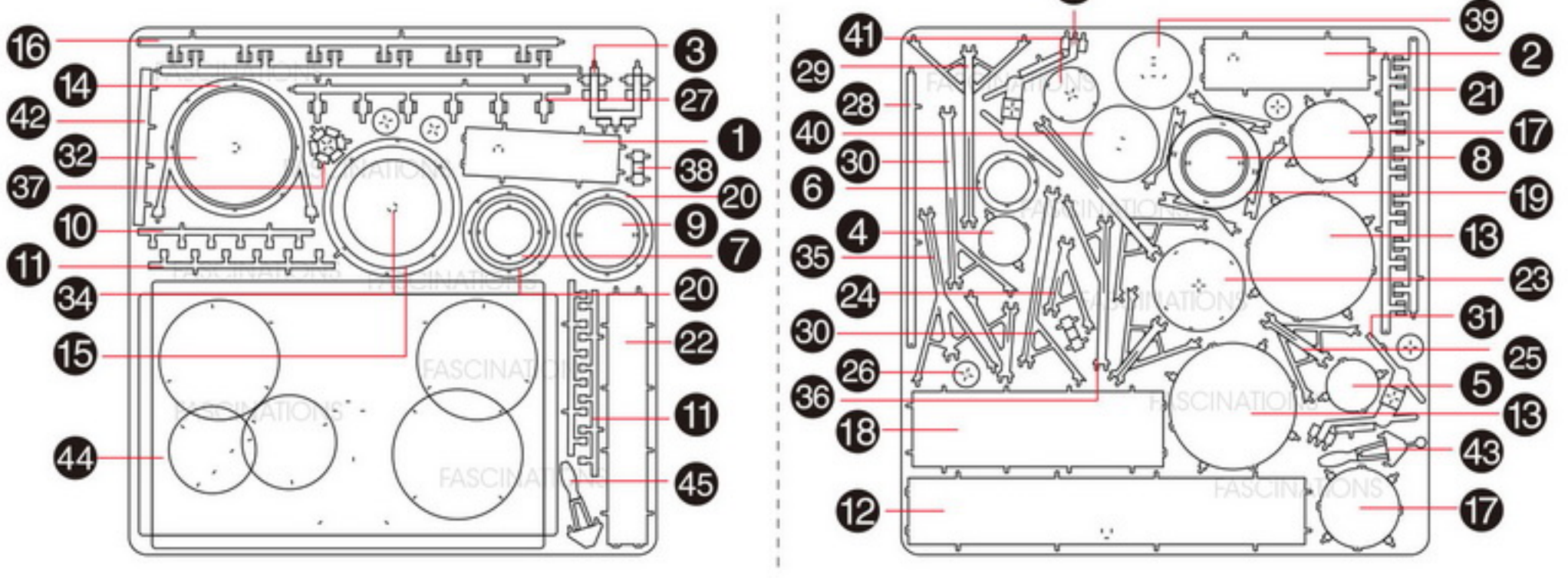
### To create the best connections

● Insert tab and bend 90 degrees for most visible areas

▲ Insert tab and twist 90 degrees is best in some areas to ensure a tight connection



### Metal sheets



**⚠** In order to avoid possible injury from sharp edges, please carefully discard the metal sheet after parts have been removed

### Assembly Flow Chart

