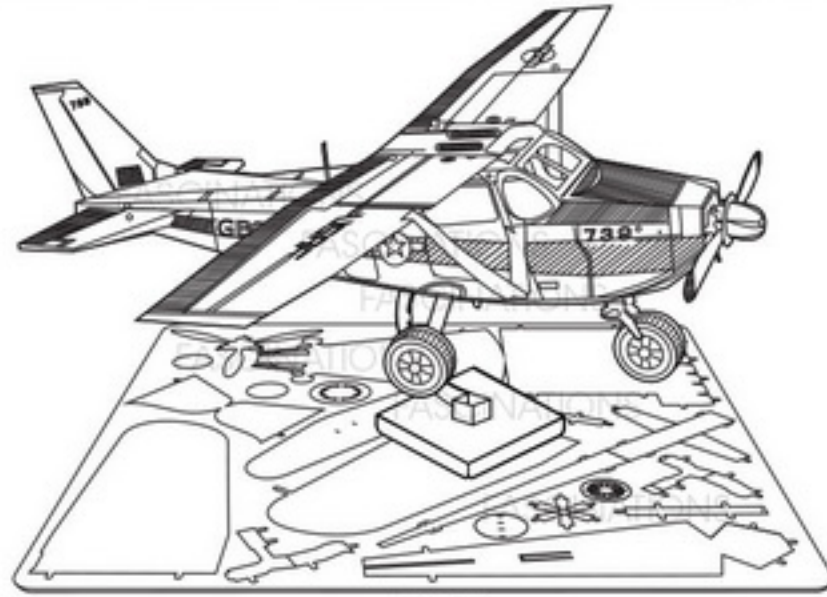


# METAL EARTH™

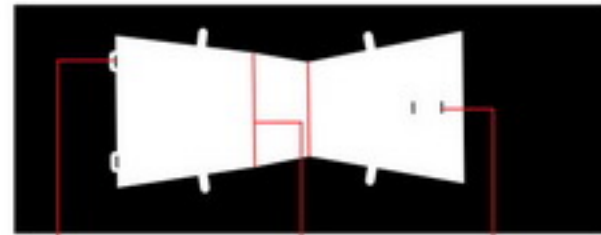
## 3D LASER CUT MODELS



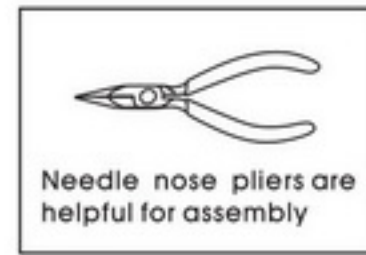
It is highly recommended that you visit [www.fascinations.com/metalearth360/mms045](http://www.fascinations.com/metalearth360/mms045) to see the completed model before assembling your own



mms045



Insertion tabs are inserted and then folded  
 Fold lines can be seen as shown here  
 Insertion holes

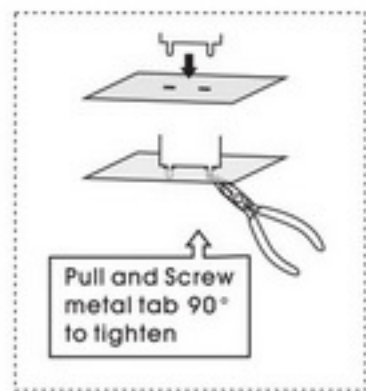


Needle nose pliers are helpful for assembly

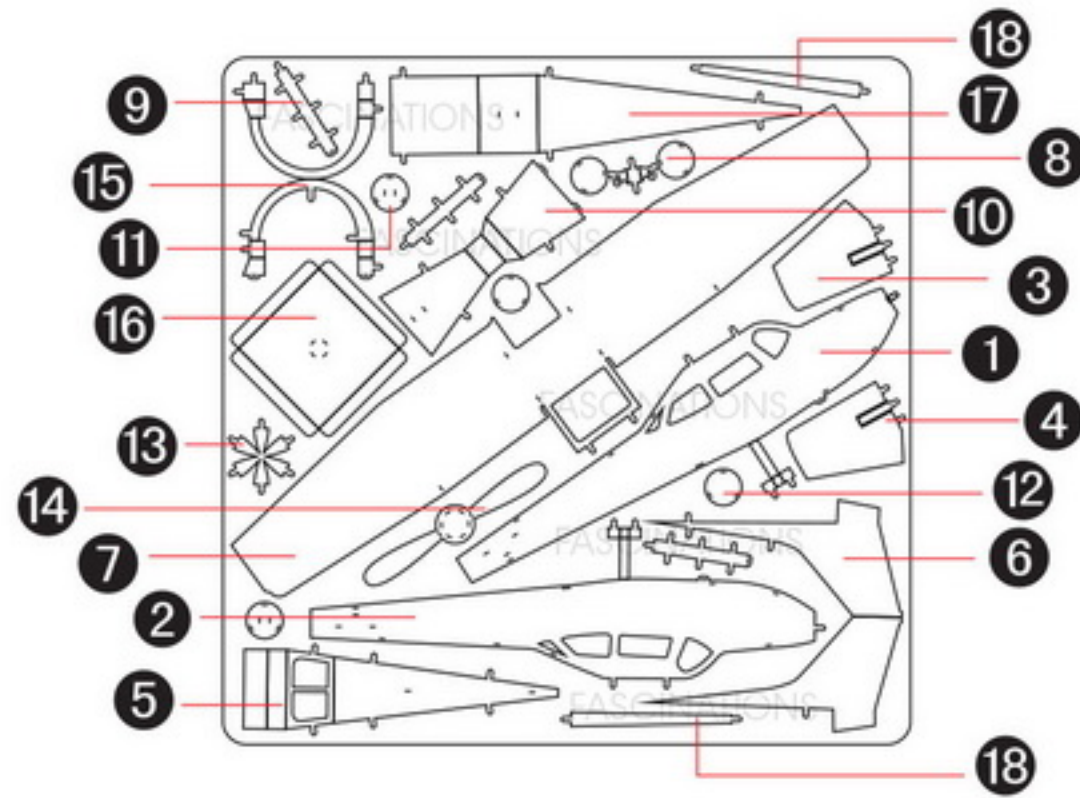
### Metal sheet

### To create the best connections

- Insert tab and bend 90 degrees for most visible areas
- Insert tab and twist 90 degrees is best in some areas to ensure a tight connection



Pull and Screw metal tab 90° to tighten



In order to avoid possible injury from sharp edges, please carefully discard the metal sheet after parts have been removed

### Assembly Flow Chart

