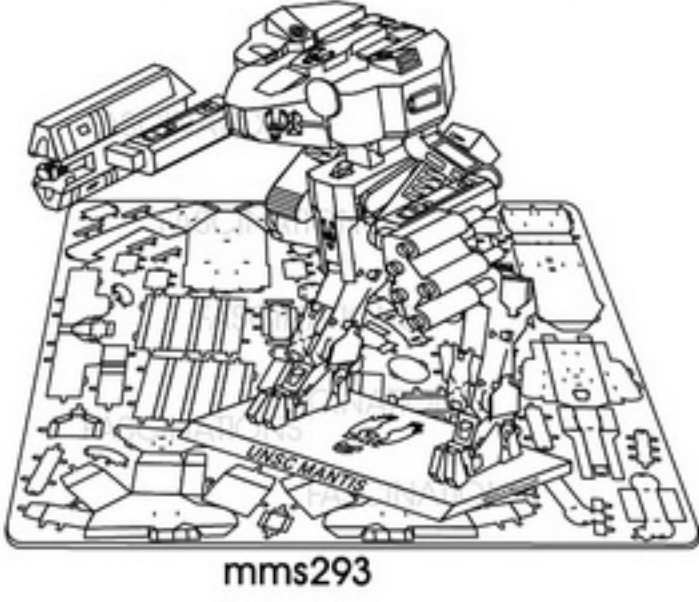


# METAL EARTH™

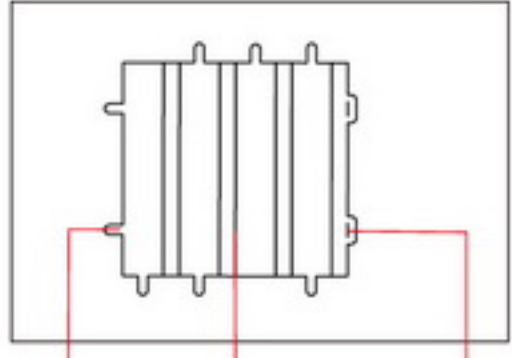
## 3D LASER CUT MODELS



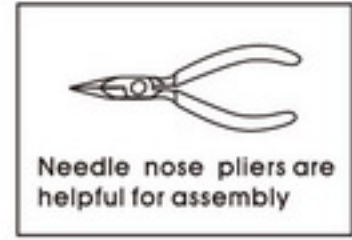
It is highly recommended that you visit [www.fascinations.com/metalearth360/mms293](http://www.fascinations.com/metalearth360/mms293) to see the completed model before assembling your own



To create the best connections

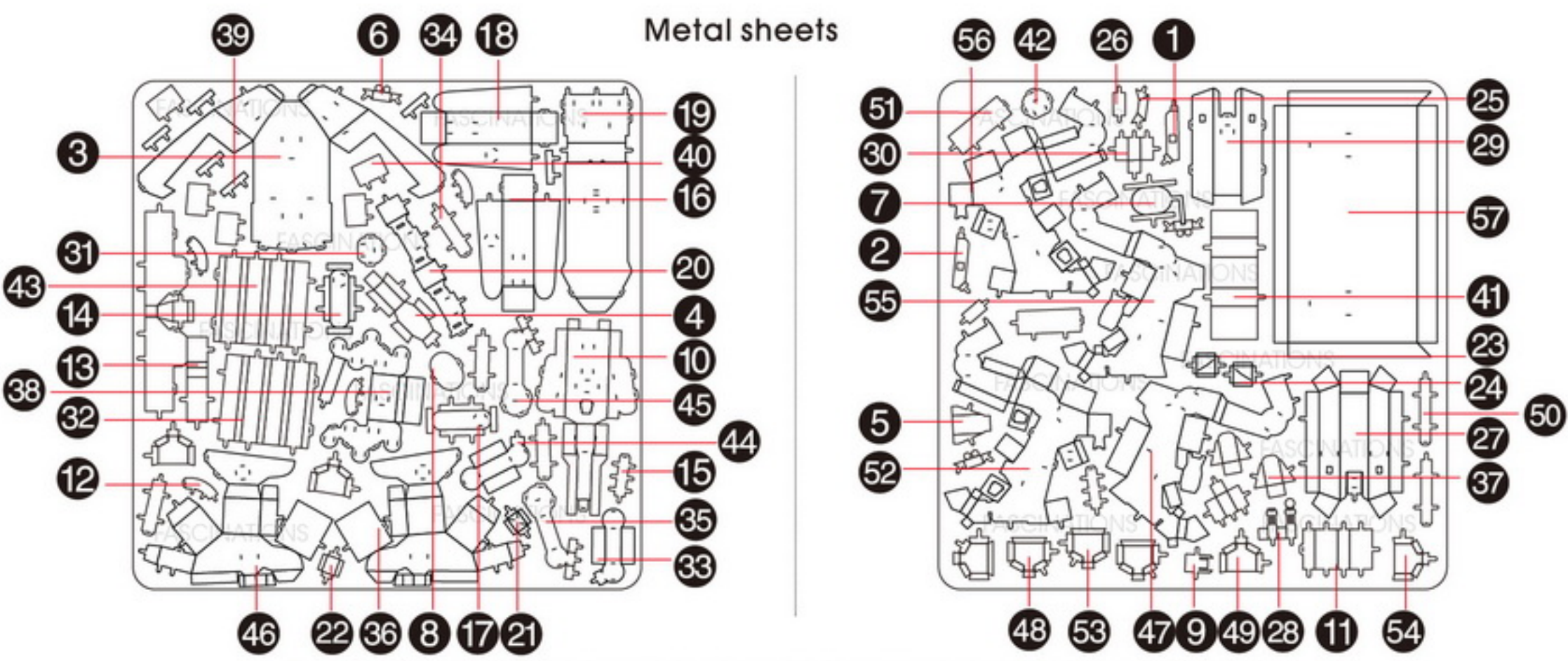
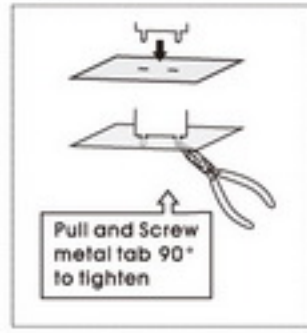


Insertion tabs are inserted and then folded  
Fold lines can be seen as shown here  
Insertion holes



● Insert tab and bend 90 degrees for most visible areas

▲ Insert tab and twist 90 degrees is best in some areas to ensure a tight connection



⚠ In order to avoid possible injury from sharp edges, please carefully discard the metal sheet after parts have been removed

### Assembly Flow Chart

