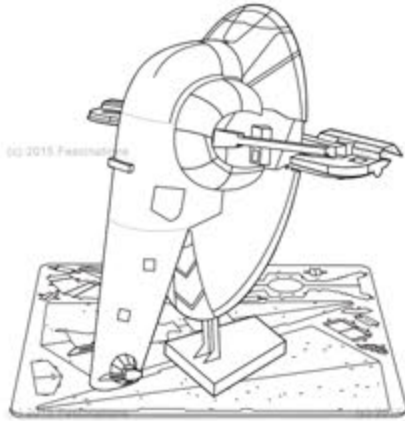


METAL EARTH™

3D LASER CUT MODELS



It is highly recommended that you visit www.fascinations.com/metalearth360/mms260 to see the completed model before assembling your own

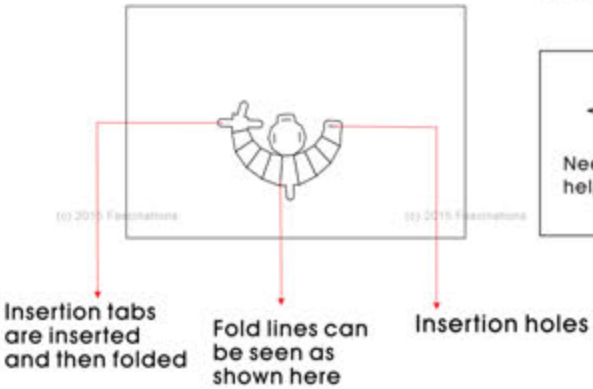


mms260

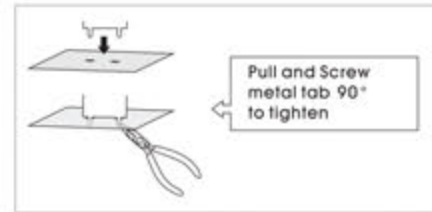
To create the best connections

Insert tab and bend 90 degrees for most visible areas

Insert tab and twist 90 degrees is best in some areas to ensure a tight connection

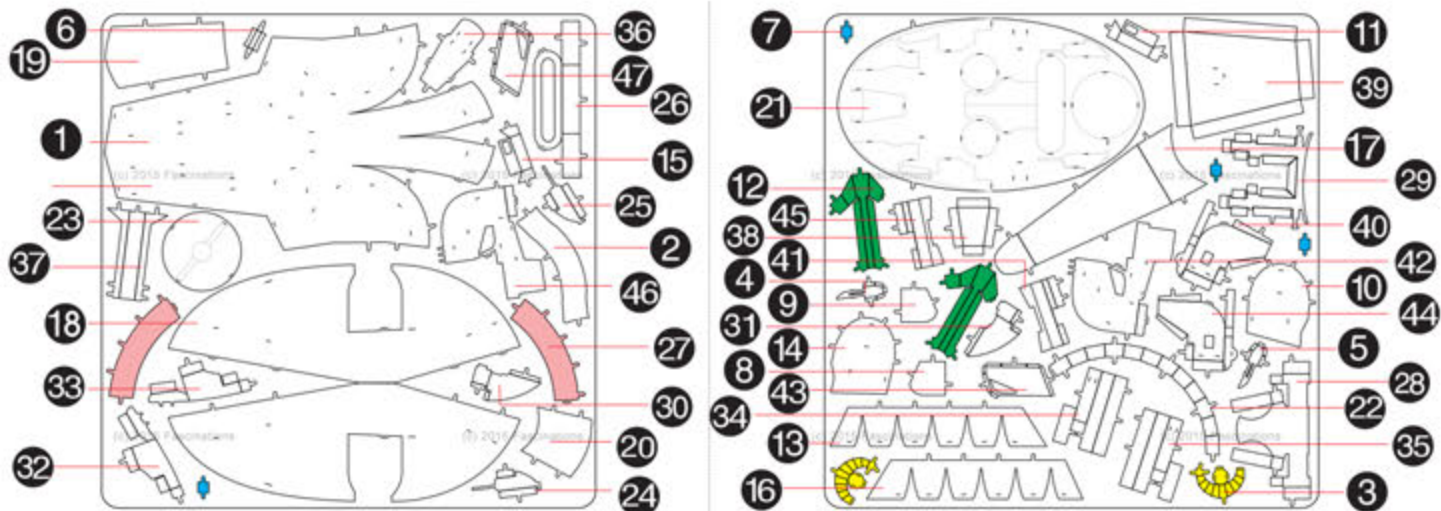


Needle nose pliers are helpful for assembly



Pull and Screw metal tab 90° to tighten

Metal sheets



In order to avoid possible injury from sharp edges, please carefully discard the metal sheet after parts have been removed

Assembly Flow Chart

