

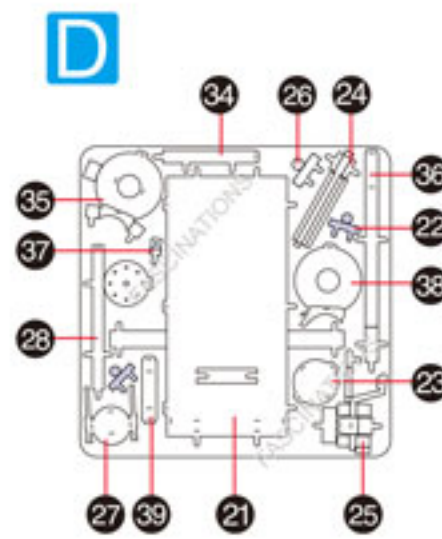
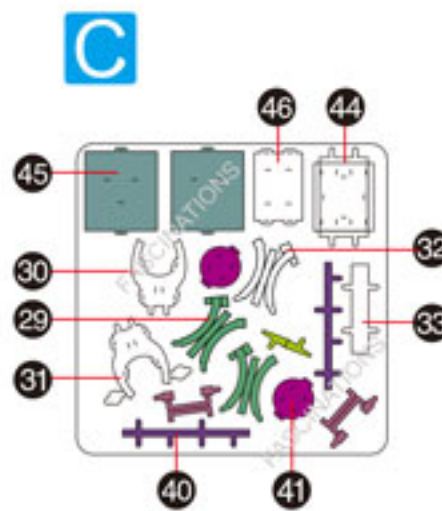
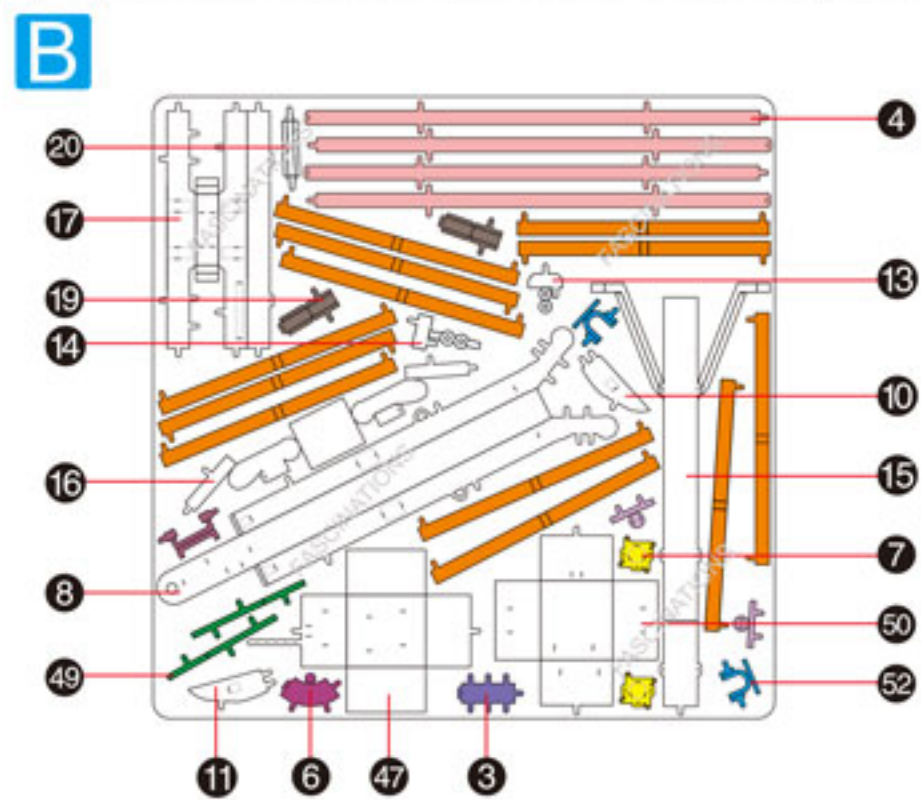
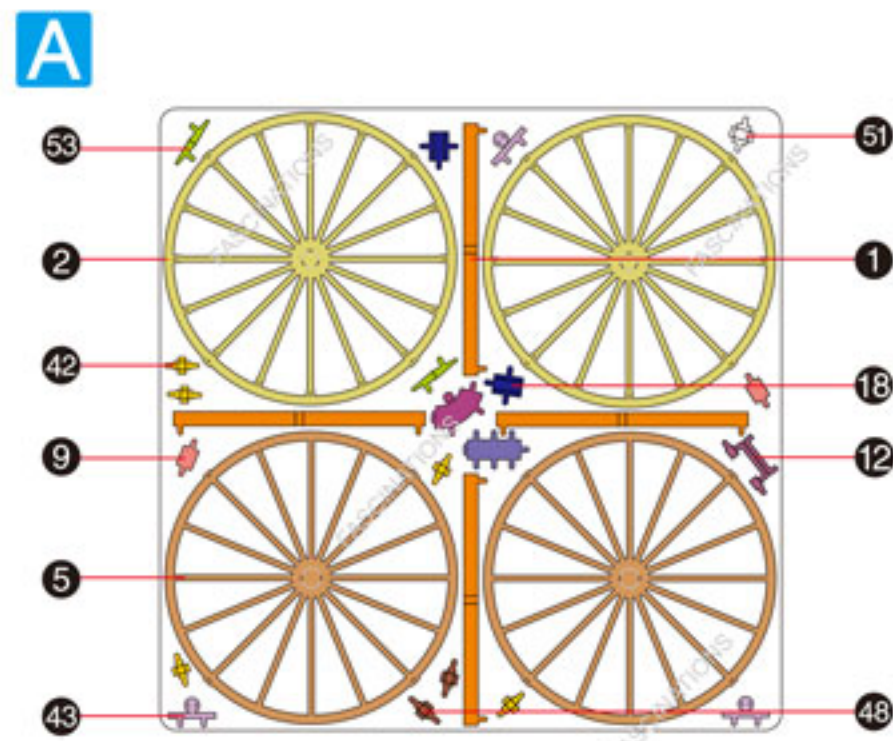
Wild West Gatling Gun  
Item No. MMS188



It is highly recommended that you visit [www.metalearth.com/360/mms188](http://www.metalearth.com/360/mms188) to see the completed model before assembling your own

## Metal sheets

Parts that are in the same color are duplicates



In order to avoid possible injury from sharp edges, please carefully discard the metal sheets after parts have been removed

Fold lines can be seen as shown here  
Insertion tabs are inserted and then folded  
Insertion holes

### Legends:

- Engraved/Color side
- Non-engraved/Silver side
- Attention point
- Insert tab and bend 90 degrees
- Insert tab and twist 90 degrees

### Assembly tip:

If needed, slightly twist tabs to hold parts together then untwist and bend them down for a nice finish

### Recommended tools:

-Wire cutters: helpful for taking parts from the metal sheets.



-Tweezers or needle nose pliers: helpful for folding parts, bending and twisting tabs.



## Assembly Flow Chart

